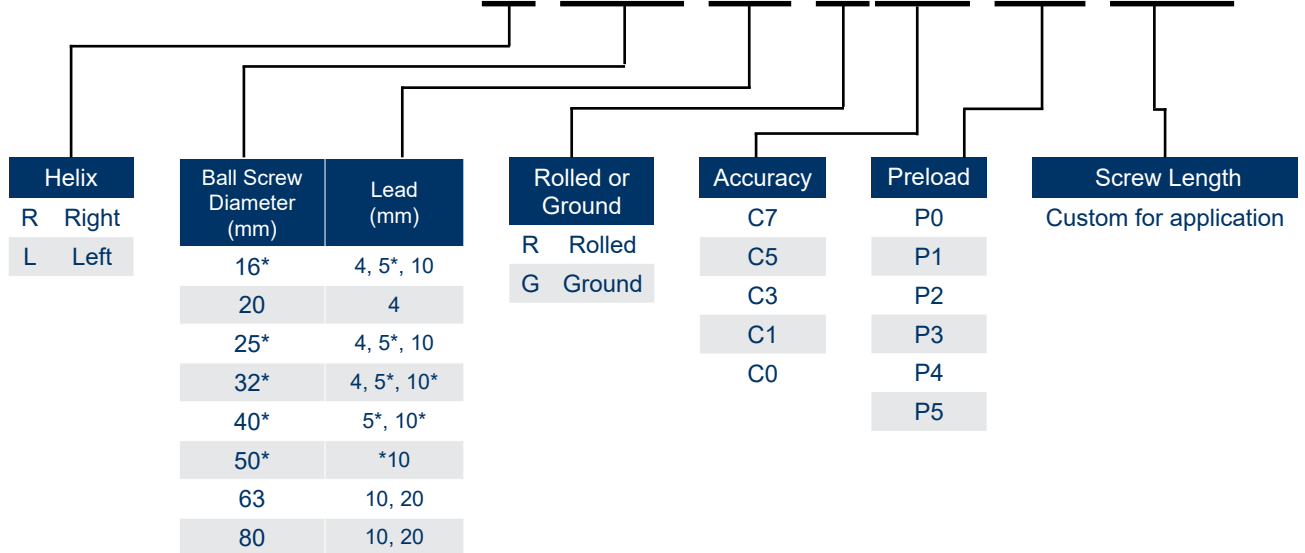


- 16mm to 80mm Screw Diameters
- 4mm to 20mm Leads
- Dynamic Loads to to 12,911 kgf
- Static Loads up to 47,747 kgf
- Available in Left and Right helix
- C7 Standard Accuracy
- P1 Standard Preload
- Other Accuracies and Preloads Available Upon Request



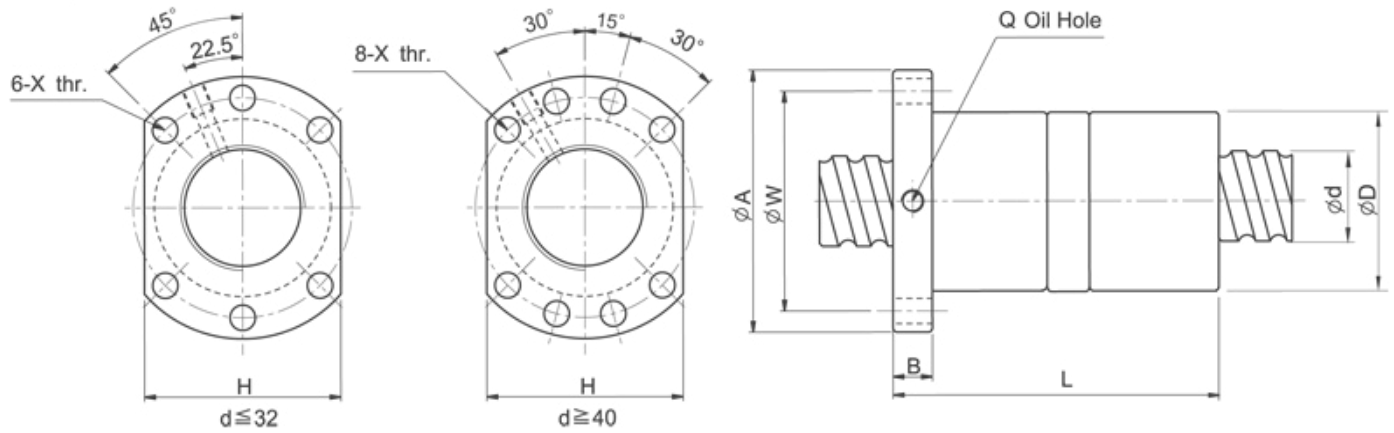
The DFU Series screw has a diameter of 16-80mm with a 4-20mm lead. This assembly provides a dynamic force of 12,911 kgf and a static forces up to 47,747 kgf. The maximum screw length is 7,000mm. The ends of the screw can be customized per your drawing. Please contact Anaheim Automation to discuss your specific requirements.

BSC-AAM-DFUR-016-05-RC7-P1-750



* =Also available in Left Helix

L011039



Units are in mm

Model No.	d	l	Da	D	A	B	L	W	H	X	Q	n	Ca	Coa	K	H*
BSC-AAM-DFUR-16-04	16	4	2.381	28	48	10	80	38	40	5.5	M6	1x4	973	2406	43	R
BSC-AAM-DFUR-16-05	16	5	3.175	28	48	10	100	38	5.5	40	M6	1x4	1380	3052	44	R/L
BSC-AAM-DFUR-16-10	16	10	3.175	28	48	10	118	38	5.5	40	M6	1x3	1103	2401	35	R
BSC-AAM-DFUR-20-04	20	4	2.381	36	58	10	80	47	6.6	44	M6	1x4	1066	2987	51	R
BSC-AAM-DFUR-25-04	25	4	2.381	40	62	10	80	51	6.6	48	M6	1x4	1180	3795	60	R
BSC-AAM-DFUR-25-05	25	5	3.175	40	62	10	101	51	6.6	48	M6	1x4	1724	4904	62	R/L
BSC-AAM-DFUR-25-10	25	10	4.762	40	62	12	145	51	6.6	48	M6	1x4	2954	7295	67	R
BSC-AAM-DFUR-32-04	32	4	2.381	50	80	12	80	65	9	62	M6	1x4	1296	4838	71	R
BSC-AAM-DFUR-32-05	32	5	3.175	50	80	12	102	65	9	62	M6	1x4	1922	6343	74	R/L
BSC-AAM-DFUR-32-10	32	10	6.35	50	80	12	162	65	9	62	M6	1x4	4805	12208	82	R/L
BSC-AAM-DFUR-40-05	40	5	3.175	63	93	14	105	78	9	70	M8	1x4	2110	7988	87	R/L
BSC-AAM-DFUR-40-10	40	10	6.35	63	93	14	165	78	9	70	M8	1x4	5399	15500	99	R/L
BSC-AAM-DFUR-50-10	50	10	6.35	75	110	16	171	93	11	85	M8	1x4	6004	19614	117	R/L
BSC-AAM-DFUR-63-10	63	10	6.35	90	125	18	182	108	11	95	M8	1x4	11444	36653	152	R
BSC-AAM-DFUR-63-20	63	20	9.525	95	135	20	290	115	13.5	100	M8	1x4	11444	36653	152	R
BSC-AAM-DFUR-80-10	80	10	6.35	105	145	20	182	125	13.5	110	M8	1x4	7346	31953	156	R
BSC-AAM-DFUR-80-20	80	20	9.525	125	165	25	295	145	13.5	130	M8	1x4	12911	47747	187	R

Units are in mm

*PLEASE NOTE - Each standard ball screw includes **one** nut. Additional nuts will be considered a custom request, and will require creation of a special part number.